



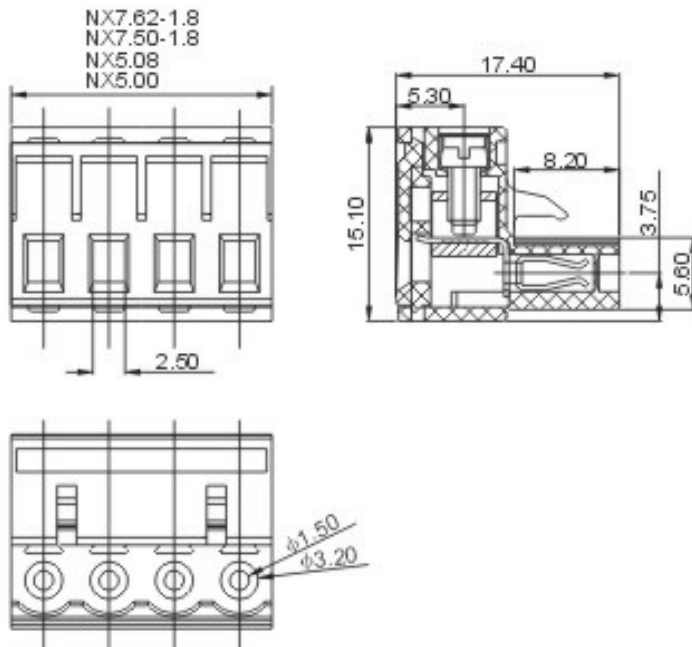
DEGSON ELECTRONICS CO., LTD.

Product Specification



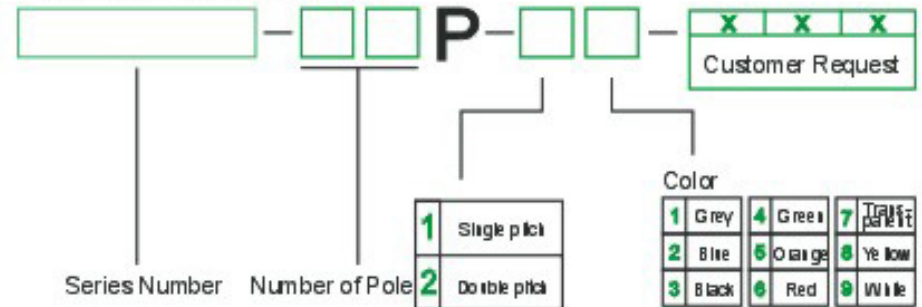
2EDGK-5.0
2EDGK-5.08

2EDGK-7.5
2EDGK-7.62



Approval		
Electrical		
Standard	UL	IEC
Rated voltage	300V	320V, 400V
Rated current	15A	20A
Wire range	28-12AWG	2.5mm ²
With standing voltage	AC2500V/1Min	
Mechanical		
Torque	0.4Nm(3.5Lb-In.)	
Ambient temperature	-40°C~+105°C	
Strip length	7mm	
Dimensions		
Pitch	5.0mm(.197")/7.5mm(.295")	
Poles	5.08mm(.200")/7.62mm(.300")	
	2P -24P 2P -12P	
Material		
Housing	PA66, UL94V-0	
Screws	M2, steel, Cr ^{III} Znplated	
Contact	Phosphor bronze	
Wire guard	Brass, Ni plated	

HOW TO ORDER



 	 DEGSON ELECTRONICS CO., LTD.
NAME 2EDGK-5.0 2EDGK-7.5 2EDGK-5.08 2EDGK-7.62	