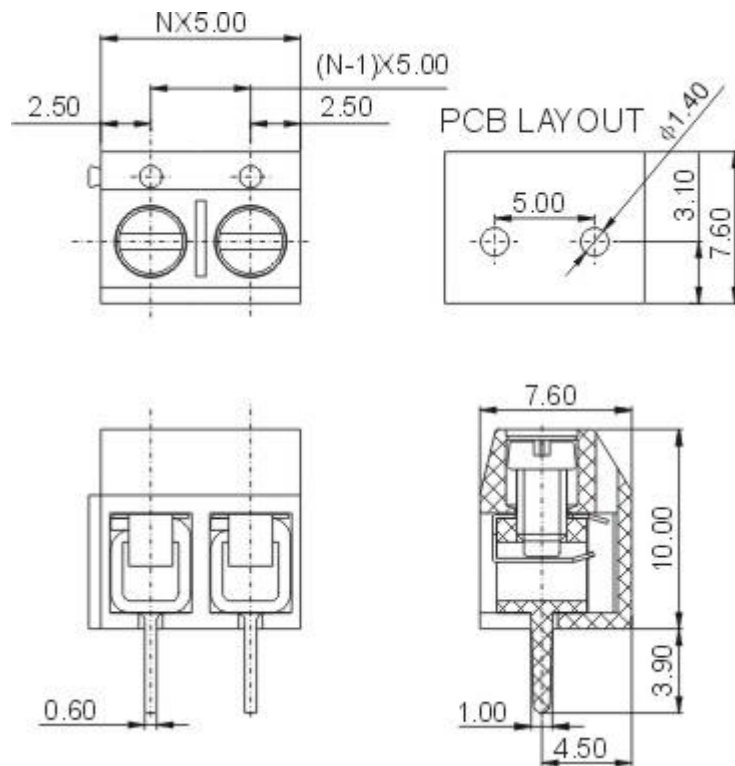
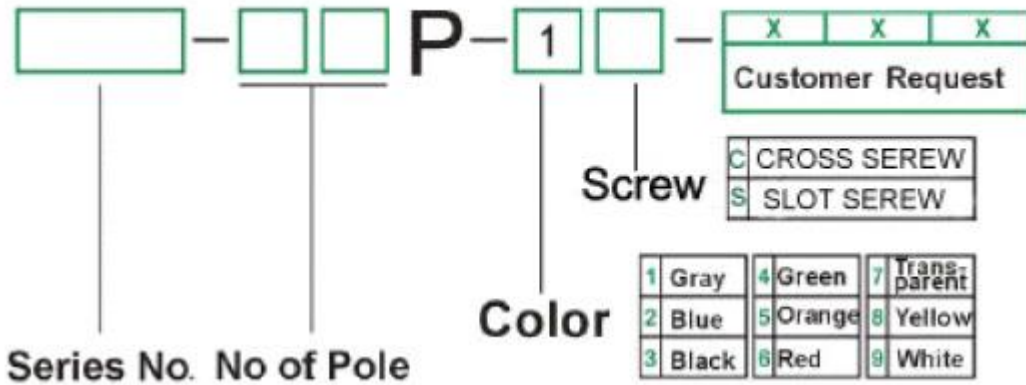


KLS2-306V-5.00



No of POLE: 2pin---30pin

HOW TO ORDER:



Pitch=5.00mm/10.00mm

Capability	
Rated voltage/Rated current	300V/10A
Wire range	22-14 AWG, 1.5 mm ²
Withstanding voltage	AC2000V/1Min
Insulation resistance	5000MΩ/DC1000V
Contact resistance	20 mΩ
Temp. Range	-30°C~+120°C
Torque	0.4Nm (3.6Lb.in)
Strip length	4.5-5 mm
Specification	
Housing	PBT, UL94V-0
Screws	M2.5, steel, Zinc plated
Wire guard	Stainless steel
Pin header	Brass, Tin plated