

# ELECTRO-MAGNETIC SOUND GENERATOR HY-07



# HYCOM

DEVICE MANUFACTURING

## ■ FEATURE

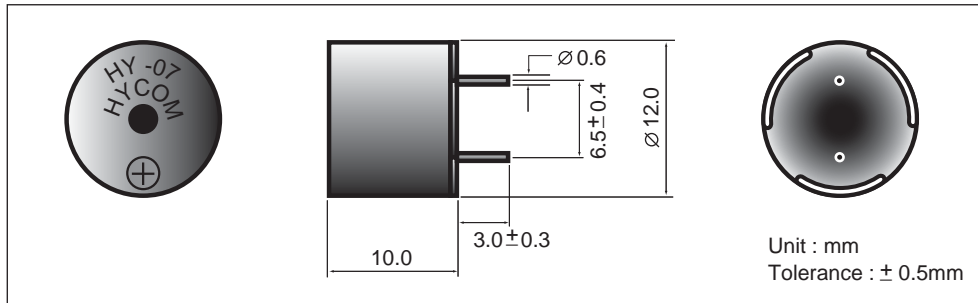
- NON-MECHANICAL CONTACTS AFFORD HIGH RELIABILITY AND LONG LIFE.
- HIGH SOUND PRESSURE AND NO ELECTRIC NOISE.
- STABILIZED SOUND QUALITY. SMALL SIZE & LIGHTWEIGHT FOR VERSATILE USAGE.
- SEALED DESIGN FOR AUTOMATIC SOLDERING AND WASHING.

## ■ SPECIFICATIONS

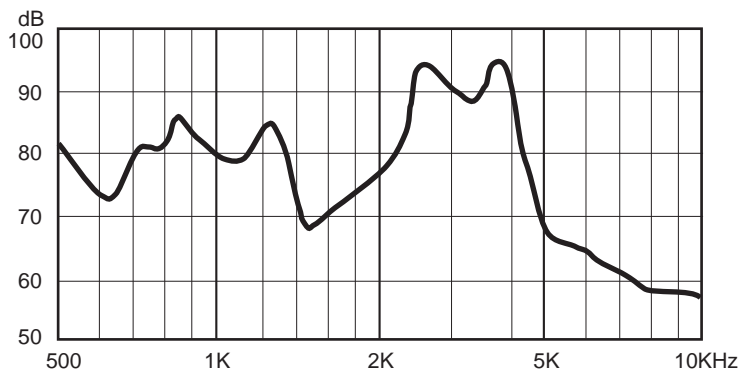
RATED VOLTAGE	(V)	1.5
OPERATING VOLTAGE	(V)	1.1~ 3.0
CURRENT CONSUMPTION	(mA)	30 Max
DC RESISTANCE	(ohm)	16 ± 3
SOUND OUTPUT AT 10CM*	(dB)	85 Min.
RESONANCE FREQUENCY	(Hz)	2600 ± 200
OPERATING TEMPERATURE	( C)	- 20 ~ +85
WEIGHT	(gm)	2.0

\* VALUE APPLYING RATED VOLTAGE, 2600 Hz, 1/2 DUTY, SQUARE WAVE.

## ■ OUTLINE DIMENSIONS



## ■ FREQUENCY CHARACTERISTICS



POWER INPUT : 1.5 V, 1/2 DUTY

SQUARE WAVE.

DISTANCE FOR MEASUREMENT : 10 cm